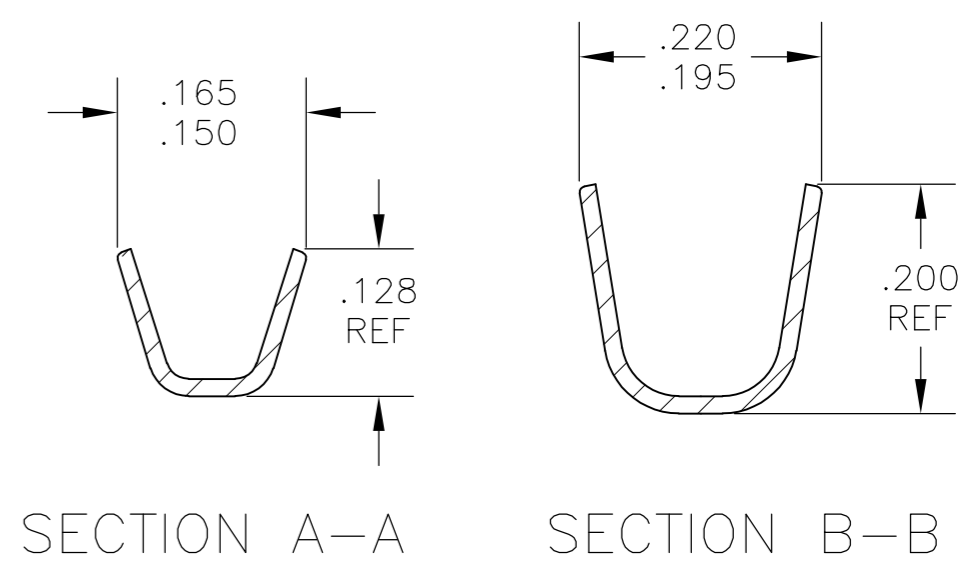
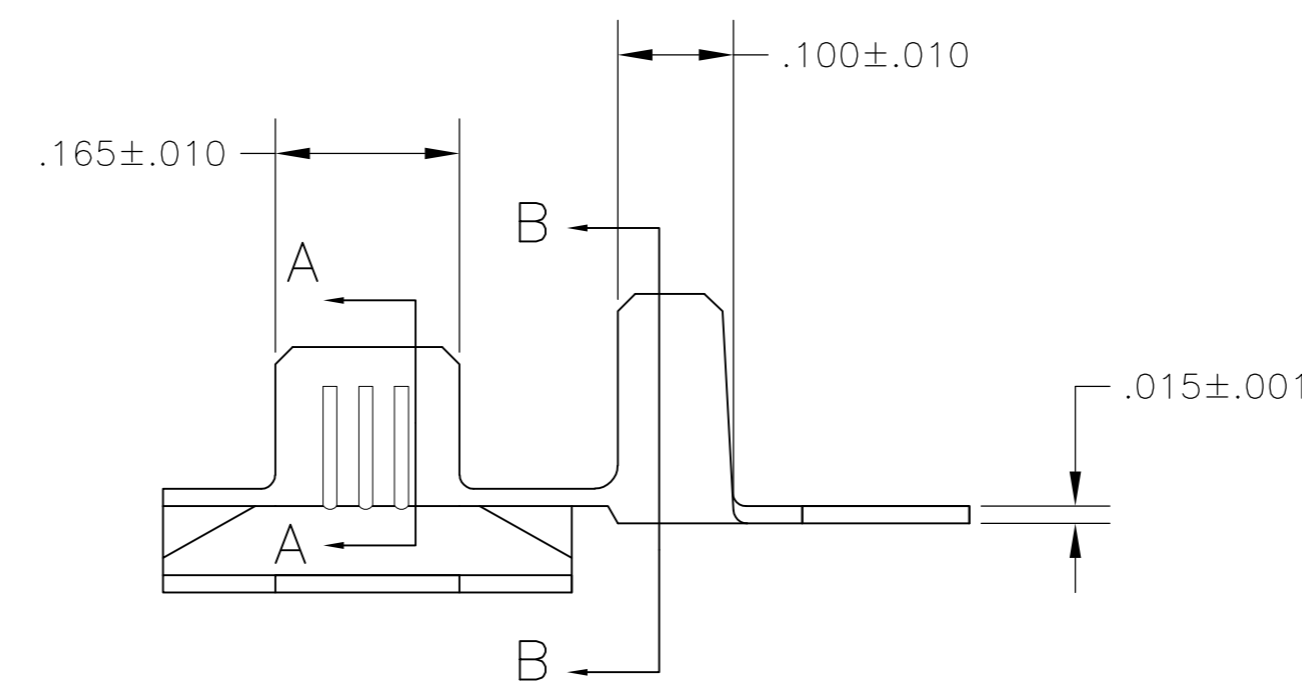
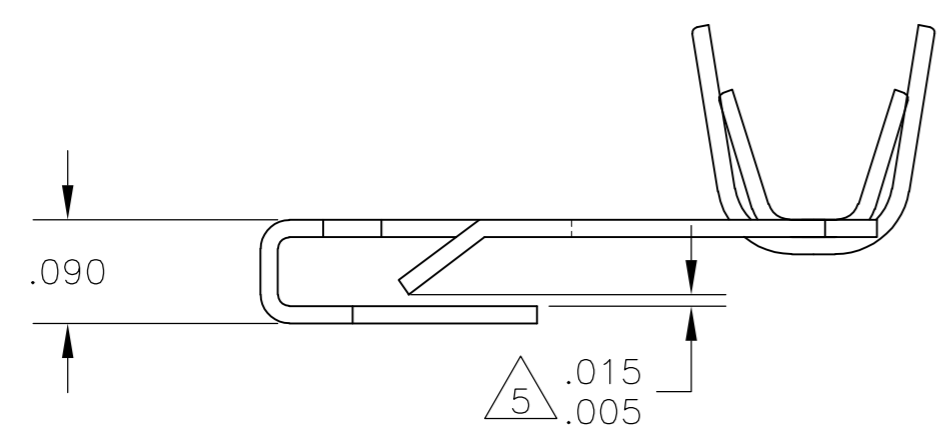
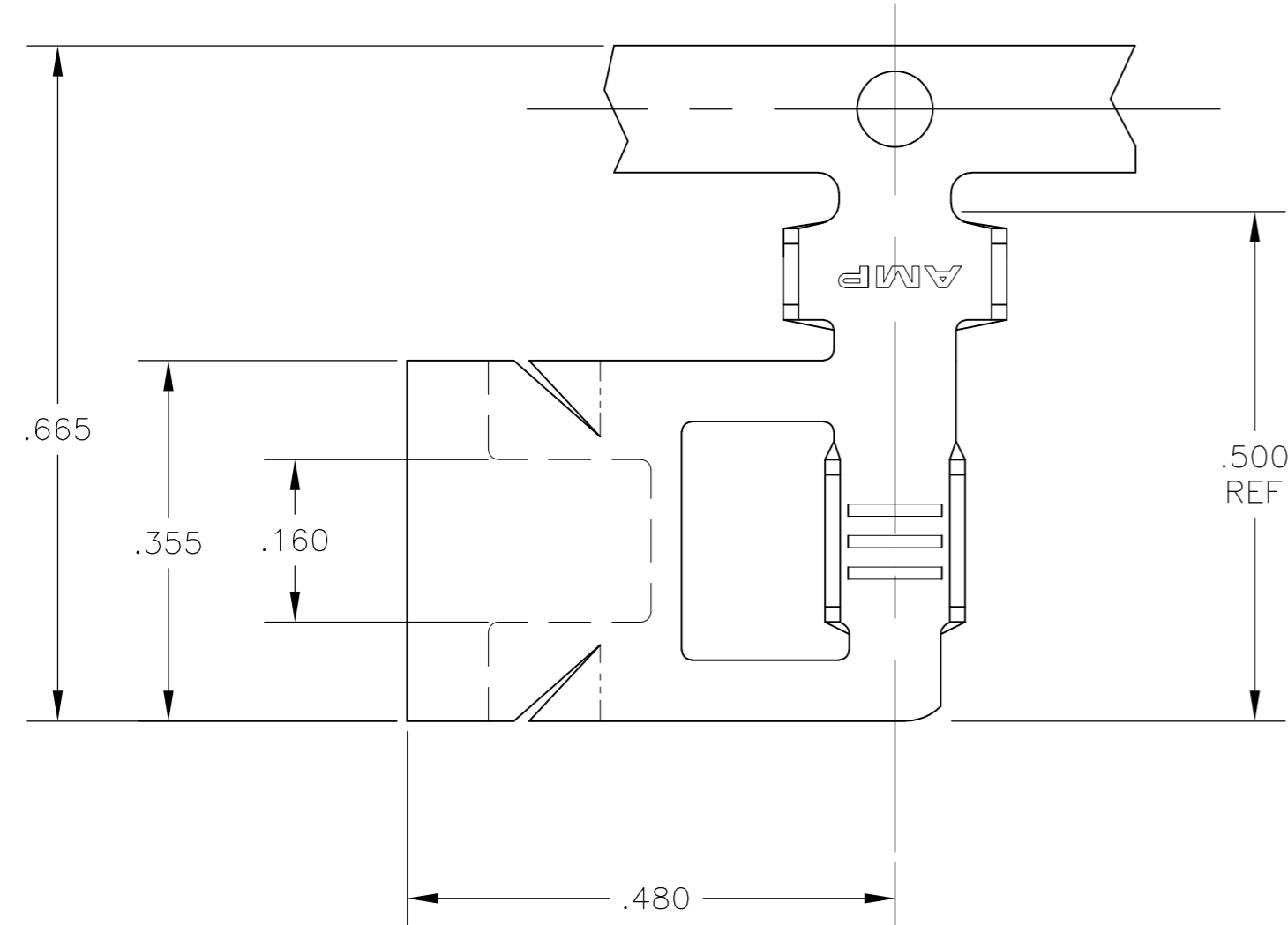


THIS DRAWING IS UNPUBLISHED. RELEASED FOR PUBLICATION
 © COPYRIGHT BY TYCO ELECTRONICS CORPORATION. ALL RIGHTS RESERVED.

| LOC | DIST | REVISIONS | | | |
|-----|------|-------------|---------------------------|---------|--------|
| P | LTR | DESCRIPTION | DATE | DWN | APVD |
| AF | 50 | C2 | REVISED PER ECR-09-008836 | 22APR09 | HMR DD |

- 1 CONTINUOUS STRIP ON REELS
- 2 WIRE SIZE IS #18-#14 AWG
- 3 INSULATION RANGE IS .090-.130 DIA
- 4 1/4 HARD UNS S30100 STAINLESS STEEL
- 5 MATES WITH .020 - .041 THICK PANEL.



1742449-1
PART NO

| | | | | |
|--|--|-------------------------------|---|--|
| THIS DRAWING IS A CONTROLLED DOCUMENT. | | DWN jr ruth 17JUL06 | Tyco Electronics Corporation Harrisburg, PA 17105-3608 | |
| DIMENSIONS: INCHES | | CHK ED HOWARD 17JUL06 | NAME | |
| TOLERANCES UNLESS OTHERWISE SPECIFIED: | | APVD ED HOWARD 17JUL06 | PRODUCT SPEC | |
| 0 PLC ± - | | APPLICATION SPEC | | |
| 1 PLC ± - | | SIZE | | |
| 2 PLC ± - | | CAGE CODE | | |
| 3 PLC ± .010 | | DRAWING NO | | |
| 4 PLC ± - | | RESTRICTED TO | | |
| ANGLES ± 5° | | A2 00779 C=1742449 | | |
| MATERIAL | | WEIGHT | | |
| FINISH | | SCALE 6:1 SHEET 1 of 1 REV C2 | | |
| 4 | | CUSTOMER DRAWING | | |